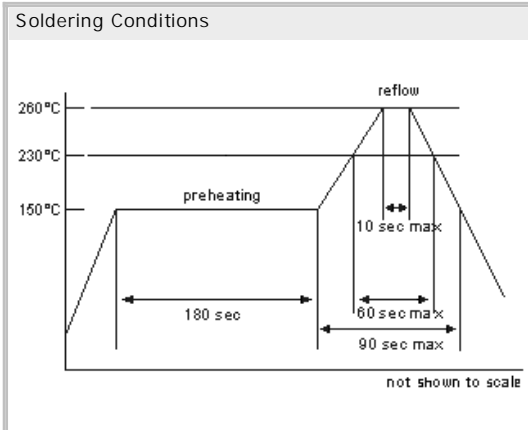
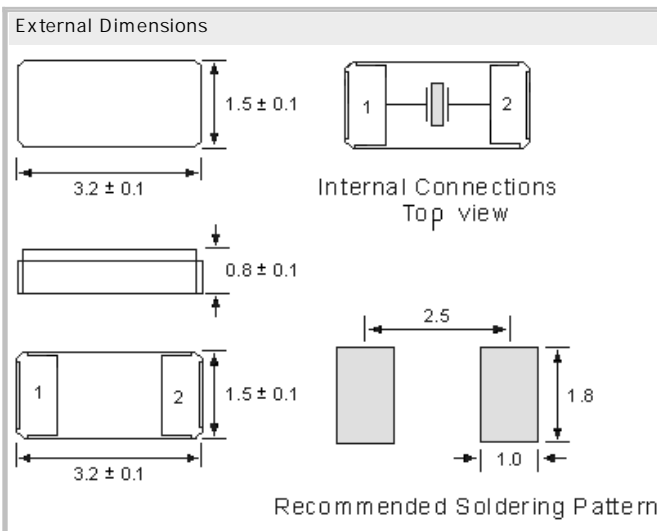




Quartz Crystal Unit CM3215-2pad

- SMD in ceramic case (3.2 x 1.5 x 0.8) mm
- Available in many standard and special frequencies
- on Tape & Reel
- RoHS conform; Lead-free product



Specifications

| | |
|-------------------------------|-----------------------------|
| Holder Type: | CM3215-2pad |
| Frequency: | 32.768000 kHz |
| Frequency Stability at 25°C: | ± 20 ppm |
| Temperature Stability: | ± 20 ppm @ -40°C to +85°C |
| Storage Temperature: | -50°C to +105°C |
| Drive Level: | 0.5µW max. |
| Load Capacitance (CL): | 6 pF |
| Shunt Capacitance (CO): | < 5pF |
| Equivalent Series Resistance: | < 60 kOhm max. |
| Aging: | < ± 3ppm max. / year (max.) |

GERMANY:

COMTEC CRYSTALS GmbH · Sultenstrasse 12-14
 8 5 5 8 6 P o i n g / G E R M A N Y
 Phone +49 8121 778160 · Fax +49 8121 778177
 e-Mail info@comtec-crystals.com
 Internet: <http://www.comtec-crystals.com>
 Subject to change without prior notice.



Technical Data and Graphics are all under
 Copyright (c) of Comtec Crystals Group.

FRANCE:

COMTEC CRYSTALS SARL · 23, rue du Faucon
 6 7 5 0 0 H a g u e n a u / F R A N C E
 Phone +33 388 732162 · Fax +33 388 730118
 e-Mail sales@comtec-crystals.com
 Internet: <http://www.comtec-crystals.com>
 Sous réserve de modifications.