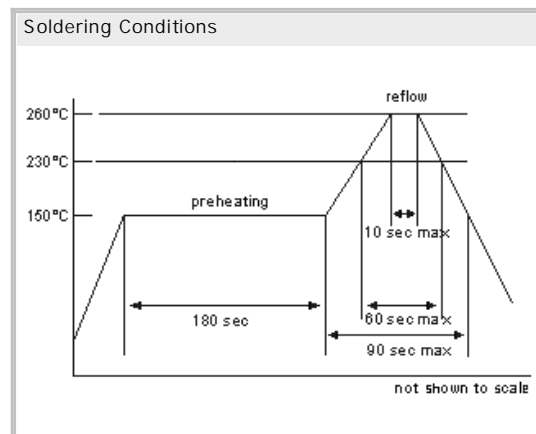
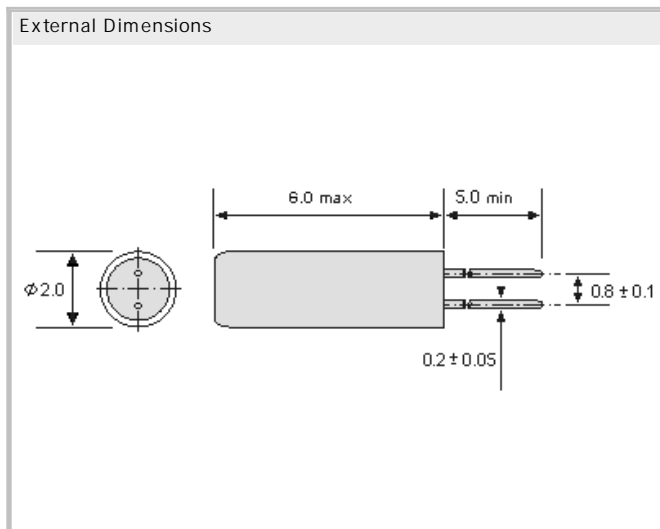




Quartz Crystal Unit TC-26

- kHz Range Crystal Unit
- Cylinder Metal Case (6.0 x 2.0) mm
- Available in many standard and special frequencies
- Applications for Clock and Microcomputer
- RoHS conform; Lead-free product



Specifications - Product No. A000077300AMFCPS01EE

| | |
|-------------------------------|-------------------------------|
| Holder Type: | TC-26 |
| Frequency: | 77.300000 kHz |
| Frequency Stability at 25°C: | ± 20 ppm |
| Temperature Stability: | ± 20 ppm @ -20°C to +60°C |
| Storage Temperature: | -40°C to +85°C |
| Drive Level: | 1.0 μ W max. |
| Load Capacitance (CL): | 20 pF |
| Shunt Capacitance (CO): | < 2pF |
| Equivalent Series Resistance: | 70 kOhm max. |
| Aging: | < ± 5 ppm max./year |

GERMANY:

COMTEC CRYSTALS GmbH · Sultenstrasse 12-14
 8 5 5 8 6 P o i n g / G E R M A N Y
 Phone +49 8121 778160 · Fax +49 8121 778177
 e-Mail info@comtec-crystals.com
 Internet: <http://www.comtec-crystals.com>
 Subject to change without prior notice.



Technical Data and Graphics are all under
 Copyright (c) of Comtec Crystals Group.

FRANCE:

COMTEC CRYSTALS SARL · 23, rue du Faucon
 6 7 5 0 0 H a g u e n a u / F R A N C E
 Phone +33 388 732162 · Fax +33 388 730118
 e-Mail sales@comtec-crystals.com
 Internet: <http://www.comtec-crystals.com>
 Sous réserve de modifications.