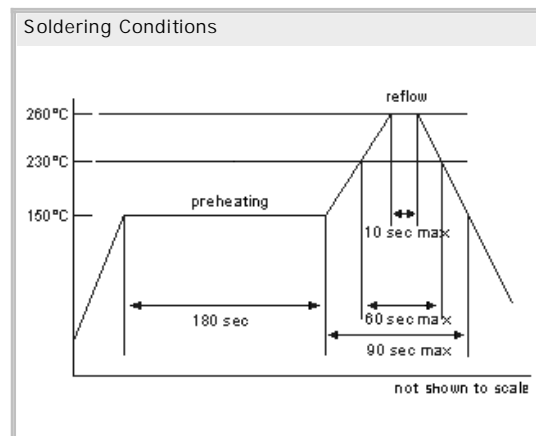
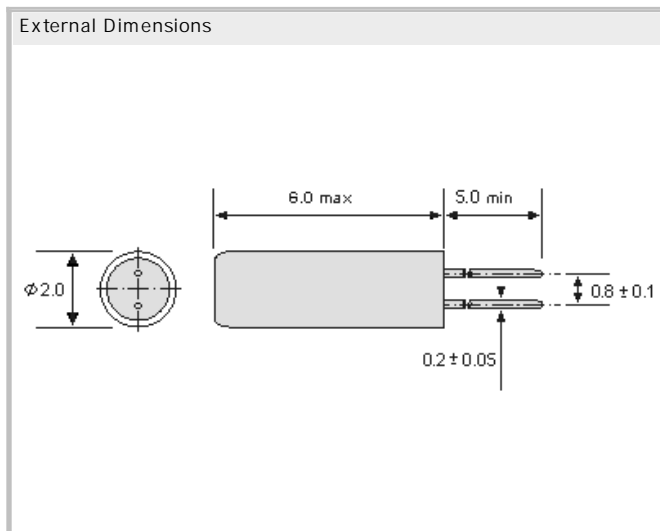




## Quartz Crystal Unit TC-26

- kHz Range Crystal Unit
- Cylinder Metal Case (6.0 x 2.0) mm
- Available in many standard and special frequencies
- Applications for Clock and Microcomputer
- RoHS conform; Lead-free product



## Specifications - Product No. A000077700AMFCPS01EE

Holder Type:	TC-26
Frequency:	77.700000 kHz
Frequency Stability at 25°C:	$\pm 20$ ppm
Temperature Stability:	$\pm 20$ ppm @ -20°C to +60°C
Storage Temperature:	-40°C to +85°C
Drive Level:	1.0 $\mu$ W max.
Load Capacitance (CL):	20 pF
Shunt Capacitance (CO):	< 2pF
Equivalent Series Resistance:	70 kOhm max.
Aging:	< $\pm 5$ ppm max./year

### GERMANY:

COMTEC CRYSTALS GmbH · Sultenstrasse 12-14  
 8 5 5 8 6 P o i n g / G E R M A N Y  
 Phone +49 8121 778160 · Fax +49 8121 778177  
 e-Mail [info@comtec-crystals.com](mailto:info@comtec-crystals.com)  
 Internet: <http://www.comtec-crystals.com>  
 Subject to change without prior notice.



Technical Data and Graphics are all under  
 Copyright (c) of Comtec Crystals Group.

### FRANCE:

COMTEC CRYSTALS SARL · 23, rue du Faucon  
 6 7 5 0 0 H a g u e n a u / F R A N C E  
 Phone +33 388 732162 · Fax +33 388 730118  
 e-Mail [sales@comtec-crystals.com](mailto:sales@comtec-crystals.com)  
 Internet: <http://www.comtec-crystals.com>  
 Sous réserve de modifications.