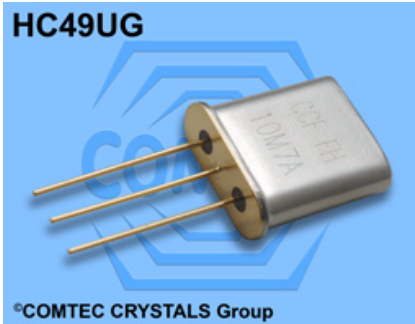


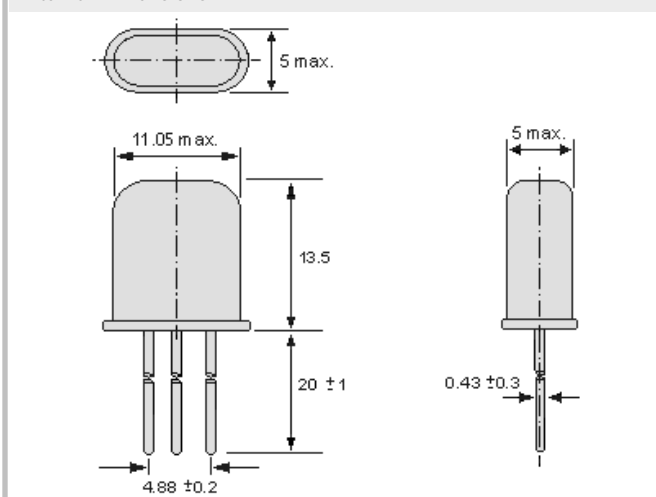
HC49UG



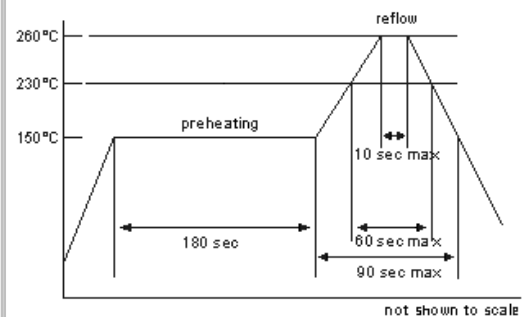
Quartz Crystal Unit HC49UG

- Standard Quartz Crystal (with ground)
- Excellent Stability
- Available with Radial Taping Package (from 1 k)
- Available in many standard and special frequencies
- RoHS conform; Lead-free product

External Dimensions



Soldering Conditions



Specifications

Holder Type:	HC49UG (with ground)
Frequency Range:	1.000 to 45.000 MHz (fun.) 24.000 to 100.000 MHz (3rd) 80.000 to 160.000 MHz (5th)
Frequency Stability at 25°C:	± 5 to ± 50 ppm
Temperature Stability:	± 5 to ± 30 ppm @ -10°C to +60°C ± 10 to ± 30 ppm @ -20°C to +70°C ± 15 to ± 50 ppm @ -40°C to +85°C
Storage Temperature:	-50°C to +105°C
Drive Level:	100µW (500µW max.)
Load Capacitance (CL):	8pF to 32pF, series (00)
Shunt Capacitance (CO):	< 7pF
Crystal Cut & Vibration Mode:	AT-cut, fundamental; - 3rd, 5th overtone
Equivalent Series Resistance:	R = 20 Ohm (fun.) - 1000 Ohm max.
Aging:	< ± 3ppm max. / year (max.)

GERMANY:

COMTEC CRYSTALS GmbH · Sultenstrasse 12-14
8 5 5 8 6 P o i n g / G E R M A N Y
Phone +49 8121 778160 · Fax +49 8121 778177
e-Mail info@comtec-crystals.com
Internet: <http://www.comtec-crystals.com>
Subject to change without prior notice.



Technical Data and Graphics are all under
Copyright (c) of Comtec Crystals Group.

FRANCE:

COMTEC CRYSTALS SARL · 23, rue du Faucon
6 7 5 0 0 H a g u e n a u / F R A N C E
Phone +33 388 732162 · Fax +33 388 730118
e-Mail sales@comtec-crystals.com
Internet: <http://www.comtec-crystals.com>
Sous réserve de modifications.