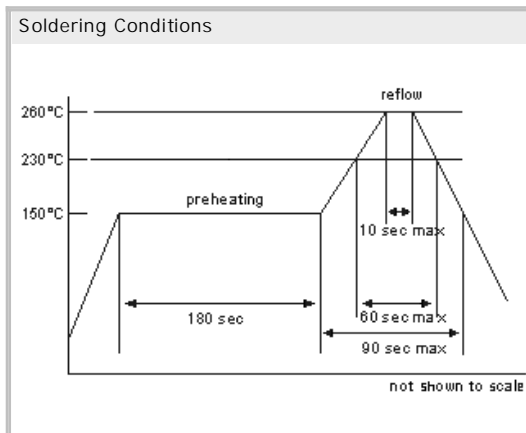
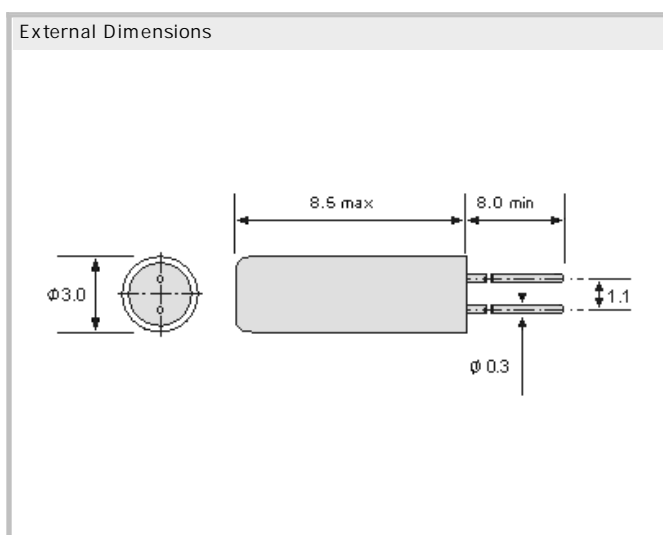




Quartz Crystal Unit TC-38

- kHz Range Crystal Unit
- Cylinder Metal Case (8.0 x 3.0) mm
- Available in many standard and special frequencies
- Applications for Clock and Microcomputer
- RoHS conform; Lead-free product



Specifications

Holder Type:	TC-38
Frequency Range:	32.768 kHz to 100 kHz
Frequency Stability at 25°C:	± 5, 20, 50, 100ppm
Temperature Stability:	± 10 to ± 30 ppm @ -10°C to + 60°C ± 10 to ± 30 ppm @ -20°C to + 70°C ± 15 to ± 50 ppm @ -40°C to + 85°C
Storage Temperature:	-40°C to + 85°C
Drive Level:	1.0 μ W max.
Load Capacitance (CL):	6pF to infinity
Shunt Capacitance (CO):	< 2pF
Equivalent Series Resistance:	35 kOhm max.
Aging:	< ± 5 ppm max./year

GERMANY:

COMTEC CRYSTALS GmbH · Sultenstrasse 12-14
8 5 5 8 6 P o i n g / G E R M A N Y
Phone +49 8121 778160 · Fax +49 8121 778177
e-Mail info@comtec-crystals.com
Internet: <http://www.comtec-crystals.com>
Subject to change without prior notice.



Technical Data and Graphics are all under
Copyright (c) of Comtec Crystals Group.

FRANCE:

COMTEC CRYSTALS SARL · 23, rue du Faucon
6 7 5 0 0 H a g u e n a u / F R A N C E
Phone +33 388 732162 · Fax +33 388 730118
e-Mail sales@comtec-crystals.com
Internet: <http://www.comtec-crystals.com>
Sous réserve de modifications.