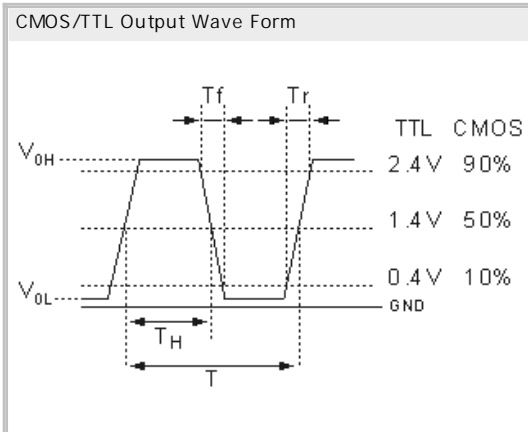
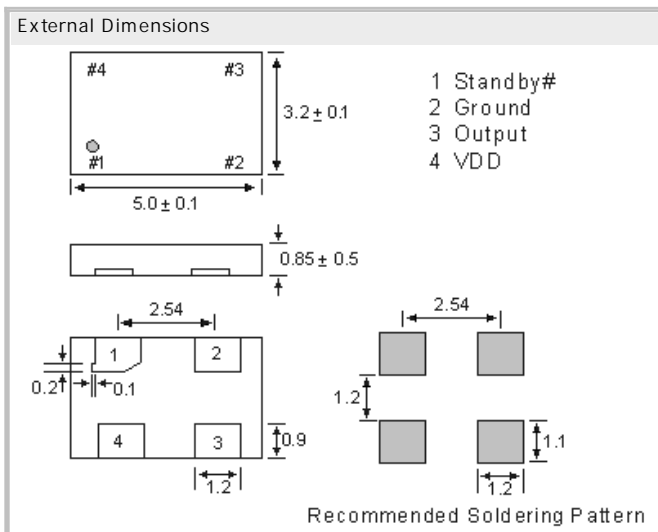




MEMS Oscillator MEP5032T 3.3V/2.8/2.5V/1.8V
Programmable from 1 to 150MHz

- SMD Plastic Packaging (5.0 x 3.2 x 0.85) mm
- Excellent Shock and Vibration Resistance
- CMOS/TTL Square Wave
- on Tape & Reel (Tape 12mm)
- RoHS conform; Lead-free product
- Available in many standard and special frequencies



Specifications

Holder Type:	MEP5032T 3.3V/2.8/2.5V/1.8V
Frequency:	0.000000 kHz
Frequency Stability at 25°C:	± 25 ppm
Operating Temperature Range:	-40°C to +85°C
Storage Temperature:	-55°C to +150°C
Power Supply Voltage (Vdd):	-0.3Vmin. to +4.0Vmax.
Maximum Supply Current, no load:	
Standby Current:	I _{dd} , T = 25°C, 15µA
Output Load:	15 pF CMOS / 10LS TTL gates max.
Output Symmetry (Duty Cycle):	45/55%
Output Voltage (VOH) (VOL):	90% of Vdd min. / 10% of Vdd max.
Rise/Fall Time (10% to 90% Vdd):	10 ns max. < 5 ns typical
Start Up Time:	10 ms max. < 5 ms typical
Tri-state Function Pin 1:	Pin 1 = H or open.... Output active at pin 3 Pin 1 = L.... high impedance at pin 3
Aging:	< ± 5ppm max. / year (max.)
Reflow Condition:	260°C max for 40 sec.

GERMANY:

COMTEC CRYSTALS GmbH · Sultenstrasse 12-14
8 5 5 8 6 P o i n g / G E R M A N Y
Phone +49 8121 778160 · Fax +49 8121 778177
e-Mail info@comtec-crystals.com
Internet: <http://www.comtec-crystals.com>
Subject to change without prior notice.



Technical Data and Graphics are all under
Copyright (c) of Comtec Crystals Group.

FRANCE:

COMTEC CRYSTALS SARL · 23, rue du Faucon
6 7 5 0 0 H a g u e n a u / F R A N C E
Phone +33 388 732162 · Fax +33 388 730118
e-Mail sales@comtec-crystals.com
Internet: <http://www.comtec-crystals.com>
Sous réserve de modifications.