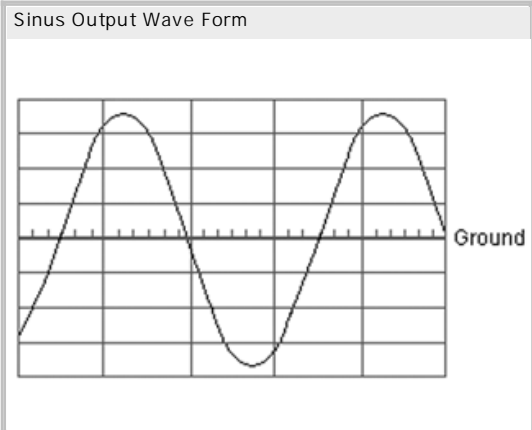
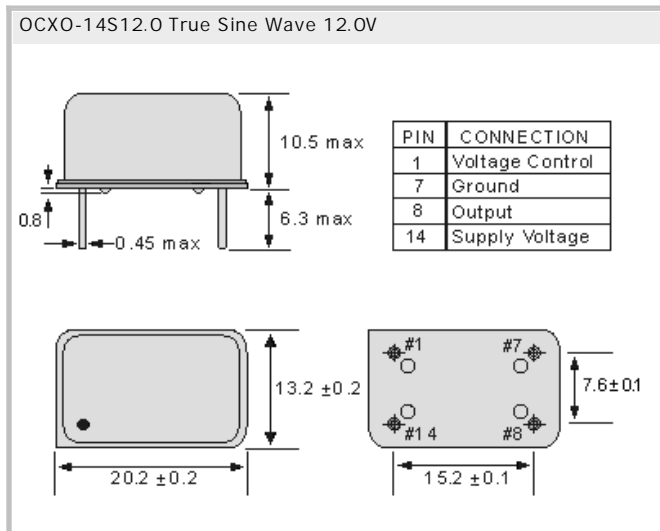




OCXO-14S12.0 True Sine Wave 12.0V  
Oven Controlled Crystal Oscillator

- DIL in metal case (20.2 x 13.2 x 10.5) mm
- Output wave form: True Sine Wave, AT-cut crystal
- RoHS conform; Lead-free product
- Vibration: 10 to 2000 Hz / 10 G
- Shock: 2000 G, 0.3ms 1/2 sine
- Available in many standard and special frequencies



## Specifications - Product No. G01000000DQZJPN10NS

Holder Type:	OCXO-14S12.0 True Sine Wave 12.0V (Voltage code is " 12.0 " )
Supply Voltage range:	+12.0V ± 0.5V
Frequency:	10.000000 MHz
Initial Calibration Tolerance:	± 0.5ppm max., Vcon = + 2.5V
Frequency Stability (FS):	
(FS) Operating Temperature Range:	± 0°C to + 70°C , ± 0.5 ppm
(FS) Voltage Change:	(± 0.5V) < ± 0.1ppm
(FS) Warm up time (+ 25°C):	3 minutes (max.)
(FS) Aging:	± 0.7 ppm first year, < 4.0ppm over 10 years
(FS) Load Change:	± 0.01ppm, for ± 5% load condition change
Voltage Control on pin 1 (EFC):	Electronic Frequency Tuning (is standard)
(EFC) Freq. Deviation Range:	± 4.0ppm (min.), Reference to fo at + 25°C
(EFC) Control Voltage Range:	(+ 5.0V) 0.0 to 5.0V
(EFC) Transfer Function:	Positive: Increasing control voltage increases output frequency
(EFC) Input Impedance:	47 k Ohm (min.)
(EFC) Linearity:	± 10 % (max.)
Power Dissipation (at 25°C):	steady-state : 1.0 W (max.) , turn-on: 2.0W (max.)
Output:	Output Level : + 3 dBm (typ.) into 50 Ohm load Harmonic: -10 dBm (min.), Spurious: -70 dBc (min.)
Output Phase Noise (10.0 MHz):	-70dBc/Hz @ 1Hz, -100dBc/Hz @ 10Hz, -130dBc/Hz @ 100Hz, -140dBc/Hz @ 1kHz, -145dBc/Hz @ 10kHz

### GERMANY:

COMTEC CRYSTALS GmbH · Sultenstrasse 12-14  
8 5 5 8 6 P o i n g / G E R M A N Y  
Phone +49 8121 778160 · Fax +49 8121 778177  
e-Mail [info@comtec-crystals.com](mailto:info@comtec-crystals.com)  
Internet: <http://www.comtec-crystals.com>  
Subject to change without prior notice.



Technical Data and Graphics are all under  
Copyright (c) of Comtec Crystals Group.

### FRANCE:

COMTEC CRYSTALS SARL · 23, rue du Faucon  
6 7 5 0 0 H a g u e n a u / F R A N C E  
Phone +33 388 732162 · Fax +33 388 730118  
e-Mail [sales@comtec-crystals.com](mailto:sales@comtec-crystals.com)  
Internet: <http://www.comtec-crystals.com>  
Sous réserve de modifications.