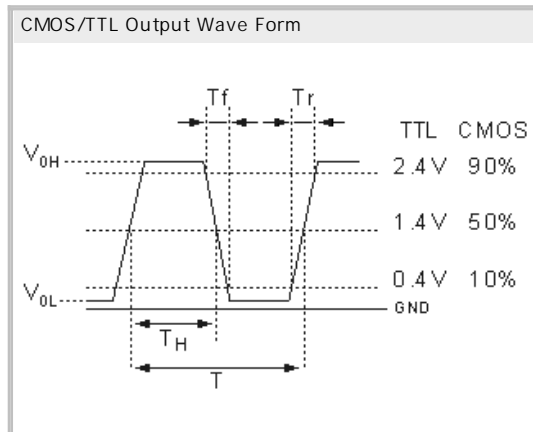
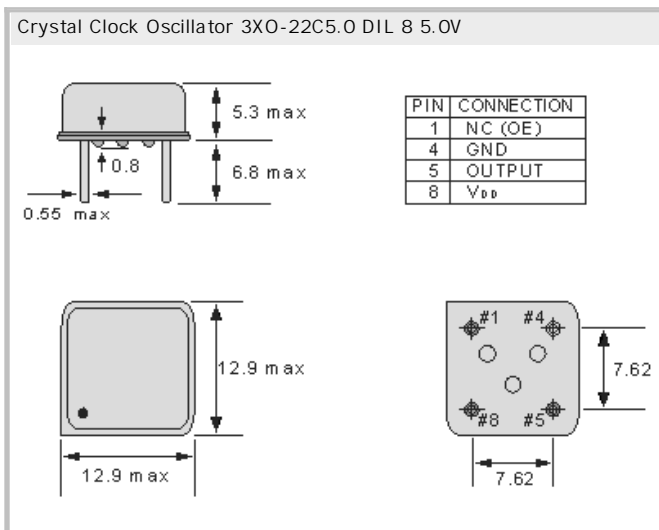




Crystal Clock Oscillator 3XO-22C5.0 DIL 8 5.0V

- micro-processor clocks
- ultra compact metal package
- CMOS/TTL Square Wave
- Available in many standard and special frequencies
- packed in antistatic tubes
- RoHS conform; Lead-free product



## Specifications - Product No. G019660800AARUPN10CA

|   |   |
|---|---|
| Holder Type:  | Crystal Clock Oscillator 3XO-22C5.0 DIL 8 5.0V  |
| Frequency:  | 19.660800 MHz   |
| Frequency Stability at 25°C:                          | ± 100 ppm   |
| Operating Temperature Range:                          | ± 100 ppm over ±0°C to +70°C (inclusive of 25°C tolerance, ± 10% input voltage variation, load change, aging, shock and vibration ) |
| Storage Temperature:                                  | -50°C to +100°C   |
| Power Supply Voltage (V <sub>DD</sub> ):              | + 5.0V D.C. ± 10%   |
| Maximum Supply Current:                               | 10.0 mA   |
| Output Load CL:                                       | 2 - 10 (LS) TTL gates, 15 pF HCMOS  |
| Output Symmetry (Duty Cycle):                         | 40/60%  |
| Output Voltage (V <sub>OH</sub> ) (V <sub>OL</sub> ): | 90% of V <sub>DD</sub> min. / 10% of V <sub>DD</sub> max.   |
| Rise/Fall Time (10% to 90% V <sub>DD</sub> ):         | 10 ns max. < 5 ns typical   |
| Start Up Time:  | 10 ms max. < 5 ms typical   |
| Moisture sensitivity level:                           | MSL= 1 per IPC/JEDEC J-STD-020 C  |
| Aging:  | < ± 5ppm max. / year (max.)   |

### GERMANY:

COMTEC CRYSTALS GmbH · Sultenstrasse 12-14  
 8 5 5 8 6 P o i n g / G E R M A N Y  
 Phone +49 8121 778160 · Fax +49 8121 778177  
 e-Mail [info@comtec-crystals.com](mailto:info@comtec-crystals.com)  
 Internet: <http://www.comtec-crystals.com>  
 Subject to change without prior notice.



Technical Data and Graphics are all under  
 Copyright (c) of Comtec Crystals Group.

### FRANCE:

COMTEC CRYSTALS SARL · 23, rue du Faucon  
 6 7 5 0 0 H a g u e n a u / F R A N C E  
 Phone +33 388 732162 · Fax +33 388 730118  
 e-Mail [sales@comtec-crystals.com](mailto:sales@comtec-crystals.com)  
 Internet: <http://www.comtec-crystals.com>  
 sous réserve de modifications.