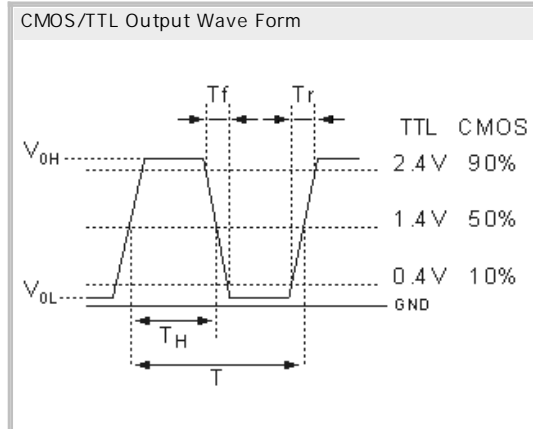
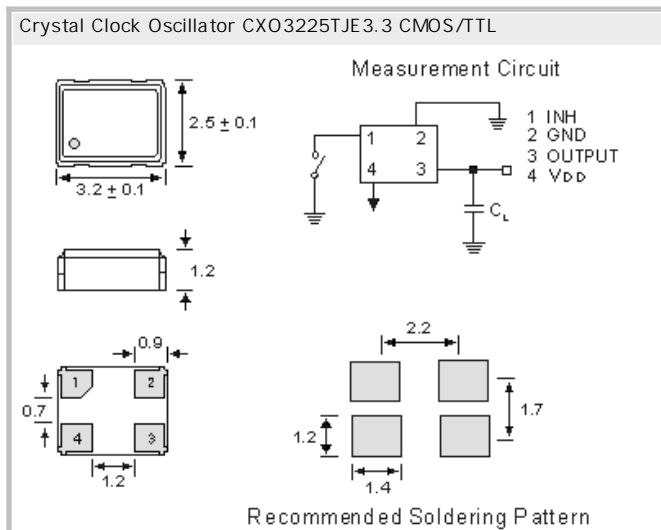


Crystal Clock Oscillator CXO3225TJE3.3 3.3V LVC MOS Low cost, Phase Jitter 48 fsec.

- SMD in ceramic case (3.2 x 2.5 x 1.2) mm
- Tri-State Enable / Disable
- LVC MOS Square Wave
- on Tape & Reel (Tape 16mm)
- RoHS conform; Lead-free product
- Vibration: MIL-STD-202F method 204, 35G, 50 to 2000 Hz
- Shock: MIL-STD-202F method 213B, test cond. E, 1000GG 1/2 sine wave
- Available in many standard and special frequencies



## Specifications - Product No. G021000000NUUPN43BB

Holder Type:	Crystal Clock Oscillator CXO3225TJE3.3 3.3V LVC MOS
Frequency:	21.000000 MHz
Frequency Stability at 25°C:	± 50.0 ppm
Operating Temperature Range:	± 50.0 ppm over -40°C to +85°C (inclusive of 25°C tolerance, ±10% input voltage variation, load change, aging, shock and vibration)
Storage Temperature:	-55°C to +150°C
Power Supply Voltage (Vdd):	+ 3.3V Vdd ± 10 %
Maximum Supply Current:	7mA max. (typical), 10mA max.
Supply Voltage vs Freq. Sensitivity:	± 1.0 ppm (max.)
Output Load:	15pF CMOS
Output Symmetry (Duty Cycle):	45/55%
Output Voltage (VOH) (VOL):	90% of Vdd min. / 10% of Vdd max.
Rise/Fall Time (10% to 90% Vdd):	10 ns max. 1.5 ns typical
Start Up Time:	0.8 ms typical < 5 ms max.
Output Disable/Enable Time:	Enable : 1ms (max.) / Disable: 200 ns (max.)
Tri-state Function Pin 1:	High Enable
Phase Jitter 49.152 MHz(12kHz -20MHz):	48 fsec. typ at 3.3 Vdd ; 118 fsec. typ. at 1.8 Vdd
SSB Phase Noise (3.3V):	-91dBc/Hz @ 10Hz, -126dBc/Hz @ 100Hz, -141dBc/Hz @ 1kHz -153dBc/Hz @ 10kHz, -166dBc/Hz @ 100kHz, -171dBc/Hz @ 1MHz
Aging:	< ±3ppm max. for the first year; 2ppm max. per year thereafter
Moisture sensitivity level:	MSL=1 per IPC/JEDEC J-STD-020 C
Reflow Condition:	260°C max for 10 sec.

### GERMANY:

COMTEC CRYSTALS GmbH · Sultenstrasse 12-14  
8 5 5 8 6 P o i n g / G E R M A N Y  
Phone +49 8121 778160 · Fax +49 8121 778177  
e-Mail [info@comtec-crystals.com](mailto:info@comtec-crystals.com)  
Internet: <http://www.comtec-crystals.com>  
Subject to change without prior notice.



Technical Data and Graphics are all under  
Copyright (c) of Comtec Crystals Group.

### FRANCE:

COMTEC CRYSTALS SARL · 23, rue du Faucon  
6 7 5 0 0 H a g u e n a u / F R A N C E  
Phone +33 388 732162 · Fax +33 388 730118  
e-Mail [sales@comtec-crystals.com](mailto:sales@comtec-crystals.com)  
Internet: <http://www.comtec-crystals.com>  
Sous réserve de modifications.