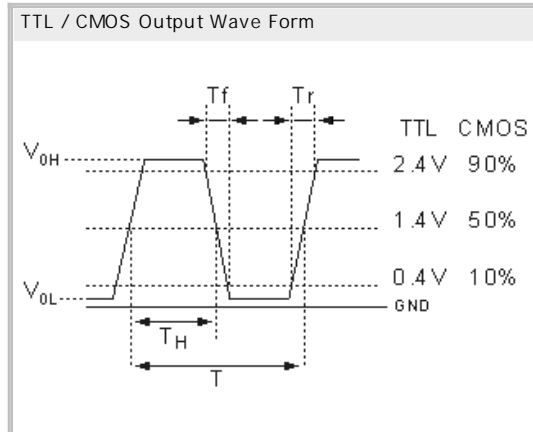
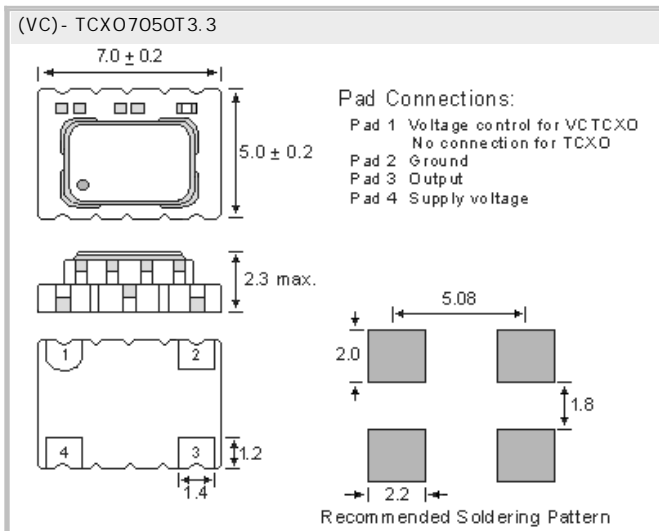


(VC)-TCXO-Oscillator SMD
(VC)-TCXO7050T3.3 3.3V

- Voltage Control Temperature Compensated Crystal Oscillator
- SMD in ceramic case (7.0 x 5.0 x 2.3) mm
- TTL / CMOS Square Wave Output; Wave form code is " T "
- on Tape & Reel
- RoHS conform; Lead-free product; Tape & Reel
- Vibration: MIL-STD-202F method 204, 35G, 50 to 2000 Hz
- Shock: MIL-STD-202F method 213B, test cond. E, 1000GG 1/2 sine wave



Specifications - Product No. G040000000CMXUPN43LB

Holder Type:	(VC)-TCXO7050T3.3 3.3V (Voltage code is " 3.3 ")
Frequency:	40.000000 MHz
Input Voltage:	+ 3.3V ± 10%
Frequency Stability:	± 2.0 ppm at 25°C
Freq. Stability vs Temperature:	± 2.0 ppm from -40°C to +85°C
Freq. Stability vs Aging:	± 1.0 ppm, first year at 25 °C
Freq. Stability vs Voltage Change:	± 0.3 ppm, for a ± 5% input voltage change
Freq. Stability vs Load Change:	± 0.3 ppm, for a ± 10% load condition change
Operating Temperature Range:	-40°C to +85°C
Maximum Supply Current:	13.0 mA max.
Output Load:	15pF
Output Logic Levels:	Logic High "1" : 90% V _{dd} min.; Logic Low "0" : 10% V _{dd} max.
Output Symmetry (Duty Cycle):	45/55% ; Measured at 50% V _{dd}
Pin 1 Options VCTCXO only:	Control Voltage: Standard +1.5V ± 1.0V for all input voltages. Slope Polarity: Positive slope. Positive voltage for positive frequency shift. Input Impedance: 50kOhm min.; Linearity ±10% max. Modulation Bandwidth (at-3 dB) : 20kHz min.
Pin 1 Frequency Deviation Range:	± 5.0 ppm (min.) with Vcon = +1.5V ± 1.0V
Voltage Control on pin 1 (EFC):	Electronic Frequency Tuning (EFC) Optionally
Rise/Fall Time (10% to 90% V _{dd}):	10.0 nsec. max., 20% to 80% of the wave form
Phase Noise (typical):	-110dBc/Hz at 100Hz offset; -125dBc/Hz at 1kHz offset; -132dBc/Hz at 10kHz offset; -125dBc/Hz at 100kHz offset;
Frequency Deviation Range (EFC):	± 5.0ppm (min.) with Vcon = +1.5V ± 1.0V (Optionally)
Start Up Time:	10 ms (max.), 5ms (typ.)
Storage Temperature:	-55 to +125°C
Reflow Condition:	260°C max. for 10 sec.

GERMANY:
COMTEC CRYSTALS GmbH · Sultenstrasse 12-14
85534 Ingolstadt · GERMANY
Phone +49 8121 778160 · Fax +49 8121 778177
e-Mail info@comtec-crystals.com
Internet: <http://www.comtec-crystals.com>
Subject to change without prior notice.



FRANCE:
COMTEC CRYSTALS SARL · 23, rue du Faucon
67500 Haguenau / FRANCE
Phone +33 388 732162 · Fax +33 388 730118
e-Mail sales@comtec-crystals.com
Internet: <http://www.comtec-crystals.com>
sous réserve de modifications.

Technical Data and Graphics are all under Copyright (c) of Comtec Crystals Group.

