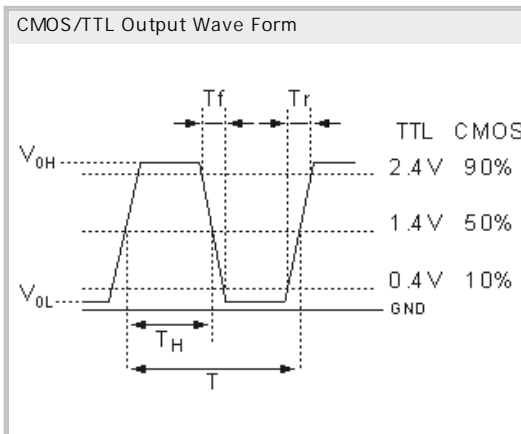
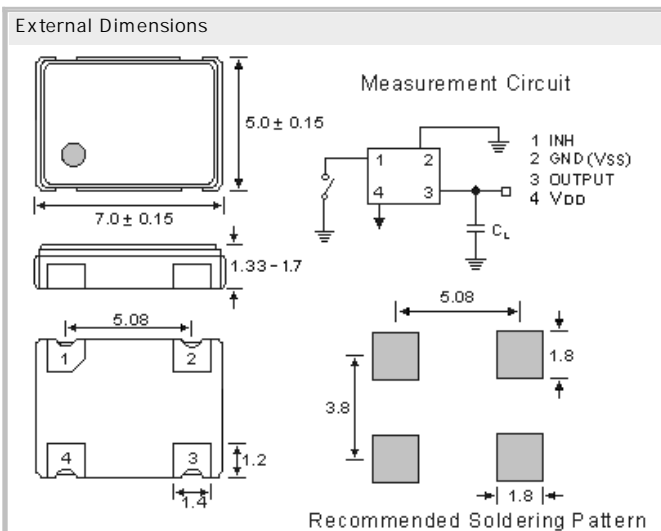


Crystal Clock Oscillator CXO7050TK2.5 2.5V
Ultra Low Current, 1.0~ 4.0mA

- SMD in ceramic case (7.0 x 5.0 x 1.4) mm
- Tri-State Funktion on Pad 1
- CMOS Square Wave
- on Tape & Reel (Tape 16mm)
- RoHS conform; Lead-free product
- Vibration: MIL-STD-202F method 204, 35G, 50 to 2000 Hz
- Shock: MIL-STD-202F method 213B, test cond. E, 1000GG 1/2 sine wave
- Available in many standard and special frequencies



Specifications

Holder Type:	CXO7050TK2.5 2.5V (Voltage code is "2.5 ") Tri-State on Pad 1
Frequency Range:	250kHz ~ 50.0MHz
Frequency Stability at 25°C:	± 20 to ± 100 ppm
Operating Temperature Range:	-20°C to +70°C, -40°C to +85°C (Inclusive Operating Temp., Supply Voltage, & Load)
Storage Temperature:	-50°C to +100°C
Power Supply Voltage (Vdd):	+ 2.5V D.C. ± 10 %
Voltage Sensitivity:	± 0.8 ppm (typical) with 10% variation of Vdd
Frequency Tolerance:	deviation less than 1 ppm between 3.3V and 1.8V
Maximum Supply Current:	10.0MHz (1.0mA) ~ 50.0MHz (4.0mA)
Fanout (Drive Capability):	12mA (typical)
Output Load:	15pF CMOS
Standby Current:	2-10µA max. (INH = LOW)
Output Symmetry (Duty Cycle):	50% ± 5 %, measured at +1.4V D.C.
Output Voltage (VOH) (VOL):	90% of Vdd min. / 10% of Vdd max. // + 2.0V (min.) <-> +0.3V (max.)
Rise/Fall Time (10% to 90% Vdd):	4 ns typical when measured from (10% Vdd <-> 90% Vdd)
Start Up Time:	10 ms typical ; Vdd reaches 1.62 V
Tri-state Function Pin 1:	Pin 1 = H or open.... Output active at pin 3 Pin 1 = L.... high impedance at pin 3
Aging:	< ± 5ppm max. / year (max.)
Reflow Condition:	260°C max for 10 sec.

GERMANY:

COMTEC CRYSTALS GmbH · Sultenstrasse 12-14
8 5 5 8 6 P o i n g / G E R M A N Y
Phone +49 8121 778160 · Fax +49 8121 778177
e-Mail info@comtec-crystals.com
Internet: <http://www.comtec-crystals.com>
Subject to change without prior notice.



Technical Data and Graphics are all under
Copyright (c) of Comtec Crystals Group.

FRANCE:

COMTEC CRYSTALS SARL · 23, rue du Faucon
6 7 5 0 0 H a g u e n a u / F R A N C E
Phone +33 388 732162 · Fax +33 388 730118
e-Mail sales@comtec-crystals.com
Internet: <http://www.comtec-crystals.com>
Sous réserve de modifications.