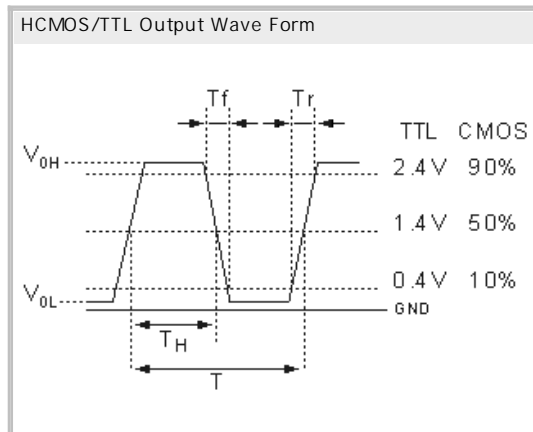
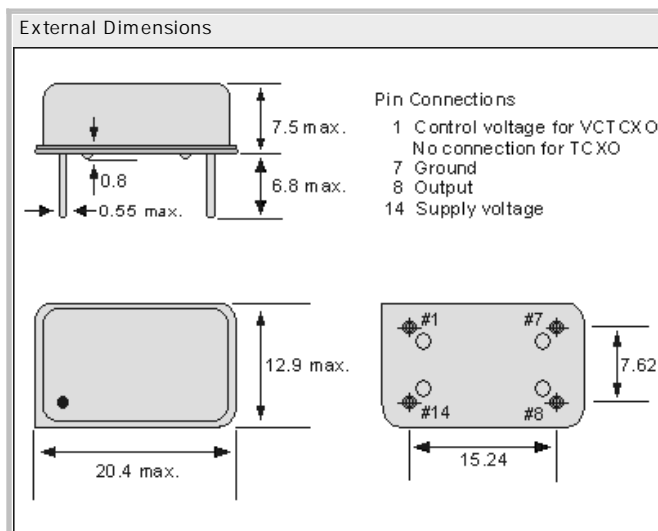


TCXO-Oscillator TCXO-14T3.3 DIL 14 3.3V

- Temperature Compensated Crystal Oscillators
- DIL in metal case (20.2 x 12.8 x 7.5) mm, 50pcs on a tray
- HCMOS/TTL Square Wave Output; Wave form code is " T "
- RoHS conform; Lead-free product
- Available in many standard and special frequencies



Specifications

Holder Type:	TCXO-14T3.3 3.3V (Voltage code is " 3.3 ")
Frequency Range:	1.25 MHz to 156.0 MHz
Input Voltage:	+ 3.3V ± 10%
Standard Frequencies (Part list):	10.0, 12.8, 13.0, 14.4, 15.36, 16.384, 19.2, 19.44, 19.68, 25.0, 20.0, 27.0, 38.88, 40.0, 77.76, 125.0, 155.52 MHz
Frequency Stability:	± 0.5ppm to ± 5.0ppm
Freq. Stability vs Temperature:	0° to 50°C (± 0.5ppm) to -40 to +85°C (± 1.0 to ± 3.0ppm)
Freq. Stability vs Aging:	± 1.0 ppm, first year at 25 °C
Freq. Stability vs Voltage Change:	± 0.3 ppm, for a ± 5% input voltage change
Freq. Stability vs Load Change:	± 0.3 ppm, for a ± 10% load condition change
Current Consumption:	2 to 35 mA (Freq. dependent)
Output Load:	15pF
Output Logic Levels:	Logic High "1" : 2.4Vmin. (TTL), 90% Vdd min. (HCMOS) Logic Low "1" : 0.4Vmin. (TTL), 10% Vdd min. (HCMOS)
Output Symmetry (Duty Cycle):	40/60% normal, 45/55% tight at 50%
Rise/Fall Time CMOS:	Tr: 1.4ns (max.) Tf: 2.0ns (typ.) Measured between 20% and 80% Vdd of the wave form (CL = 15pF)
Start Up Time:	10 ms (max.); 5ms (typ.)
Storage Temperature:	-55 to +105°C
Reflow Condition:	260°C max. for 10 sec.

GERMANY:

COMTEC CRYSTALS GmbH · Sultenstrasse 12-14
8 5 5 8 6 P o i n g / G E R M A N Y
Phone +49 8121 778160 · Fax +49 8121 778177
e-Mail info@comtec-crystals.com
Internet: <http://www.comtec-crystals.com>
Subject to change without prior notice.



Technical Data and Graphics are all under
Copyright (c) of Comtec Crystals Group.

FRANCE:

COMTEC CRYSTALS SARL · 23, rue du Faucon
6 7 5 0 0 H a g u e n a u / F R A N C E
Phone +33 388 732162 · Fax +33 388 730118
e-Mail sales@comtec-crystals.com
Internet: <http://www.comtec-crystals.com>
Sous réserve de modifications.