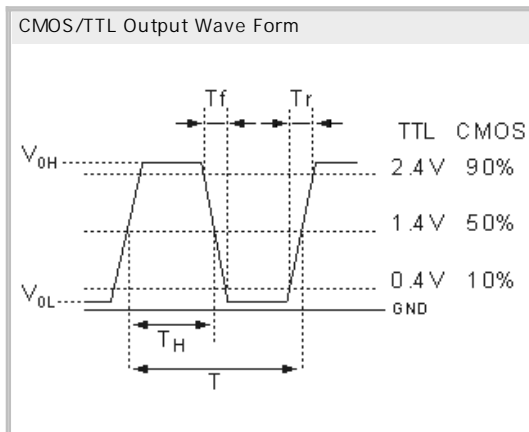
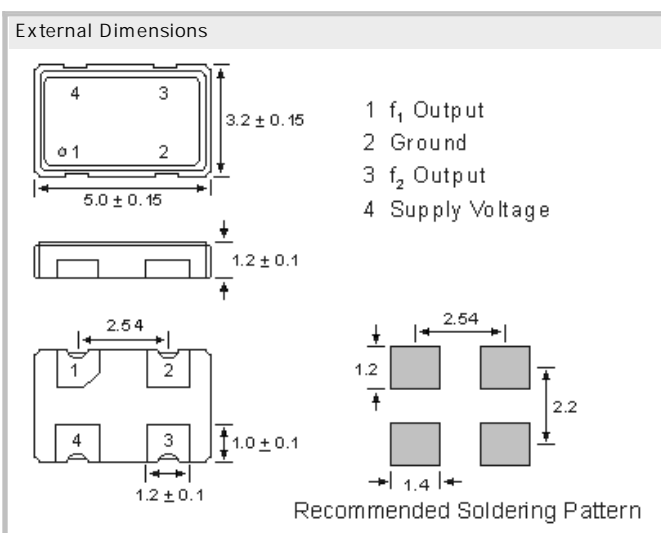


Dual Output Clock Oscillator CXO5032TJ3.3 3.3V, Low cost

- SMD in ceramic case (5.0 x 3.2 x 1.2) mm
- CMOS Square Wave
- on Tape & Reel (Tape 12mm)
- RoHS conform; Lead-free product
- Vibration: MIL-STD-202F method 204, 35G, 50 to 2000 Hz
- Shock: MIL-STD-202F method 213B, test cond. E, 1000G 1/2 sine wave
- Available in many standard and special frequencies



Specifications

Holder Type:	CXO5032TJ3.3 3.3V (Voltage code is " 3.3 ")
Frequency Range:	1.0MHz ~ 200.0MHz
Frequency Tolerance at 25°C:	± 5 ppm typical
Frequency Stability:	± 20 to ± 100 ppm
Operating Temperature Range:	-20°C to +70°C, -40°C to +85°C (Inclusive Operating Temp., Supply Voltage, & Load)
Storage Temperature:	-50°C to +105°C
Power Supply Voltage (Vdd):	+ 3.3V D.C. ± 5%
Maximum Supply Current:	4 - 50 mA max. (frequency dependent)
Output Load CL:	15pF CMOS output
Output Symmetry (Duty Cycle):	40/60% (45/55% optional)
Output Voltage (VOH) (VOL):	90% of Vdd min. / 10% of Vdd max.
Rise/Fall Time (10% to 90% Vdd):	2.0 ns max. (15pF)
Start Up Time:	10 ms max.
Aging:	< ± 5ppm max. / year (max.)
Reflow Condition:	260°C max. for 10 sec.

GERMANY:

COMTEC CRYSTALS GmbH · Sultenstrasse 12-14
8 5 5 8 6 P o i n g / G E R M A N Y
Phone +49 8121 778160 · Fax +49 8121 778177
e-Mail info@comtec-crystals.com
Internet: <http://www.comtec-crystals.com>
Subject to change without prior notice.



Technical Data and Graphics are all under
Copyright (c) of Comtec Crystals Group.

FRANCE:

COMTEC CRYSTALS SARL · 23, rue du Faucon
6 7 5 0 0 H a g u e n a u / F R A N C E
Phone +33 388 732162 · Fax +33 388 730118
e-Mail sales@comtec-crystals.com
Internet: <http://www.comtec-crystals.com>
Sous réserve de modifications.