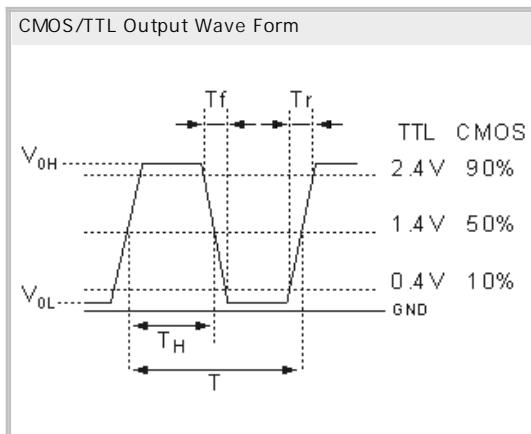
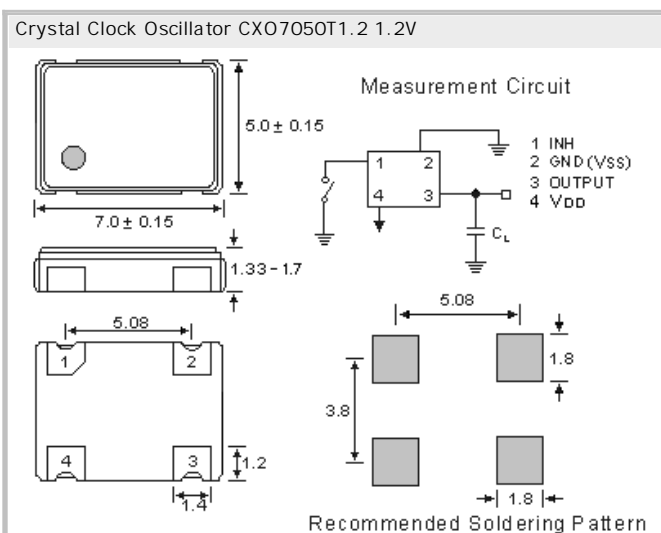


Crystal Clock Oscillator CXO7050T1.2 1.2V, Low cost

- SMD in ceramic case (7.0 x 5.0 x 1.4) mm
- Tri-State Enable / Disable
- CMOS/TTL Square Wave
- on Tape & Reel (Tape 16mm)
- RoHS conform; Lead-free product
- Vibration: MIL-STD-202F method 204, 35G, 50 to 2000 Hz
- Shock: MIL-STD-202F method 213B, test cond. E, 1000GG 1/2 sine wave
- Available in many standard and special frequencies



Specifications

Holder Type:	Crystal Clock Oscillator CXO7050T1.2 Tri-State 1.2V (Voltage code is " 1.2 ")
Frequency Range:	250.0kHz ~ 50.0 MHz
Frequency Stability at 25°C:	± 20 to ± 100 ppm
Operating Temperature Range:	-20°C to +70°C, -40°C to +85°C, (100ppm) -40°C to +105°C (Inclusive Operating Temp., Supply Voltage, & Load)
Storage Temperature:	-50°C to +105°C
Power Supply Voltage (Vdd):	+ 1.2V D.C. ± 5%
Maximum Supply Current:	4mA max. (312kHz ~ 1.5MHz) 4mA max. (1.5MHz ~ 20MHz) 4mA max. (20MHz ~ 50MHz)
Output Load:	15pF CMOS (30pF and 50pF optional) / 10LS TTL gates max.
Output Symmetry (Duty Cycle):	40/60% (45/55% optional)
Output Voltage (VOH) (VOL):	90% of Vdd min. / 10% of Vdd max.
Rise/Fall Time (10% to 90% Vdd):	6 ns max.
Start Up Time:	5 ms max.
Tri-state Function Pin 1:	Pin 1 = H or open.... Output active at pin 3 Pin 1 = L.... high impedance at pin 3
Phase Jitter (12 kHz to 20 MHz):	< 1pS RMS
Aging:	< ± 3ppm max. / year (max.)
Reflow Condition:	260°C max. for 10 sec.

GERMANY:

COMTEC CRYSTALS GmbH · Sultenstrasse 12-14
8 5 5 8 6 P o i n g / G E R M A N Y
Phone +49 8121 778160 · Fax +49 8121 778177
e-Mail info@comtec-crystals.com
Internet: <http://www.comtec-crystals.com>
Subject to change without prior notice.



Technical Data and Graphics are all under
Copyright (c) of Comtec Crystals Group.

FRANCE:

COMTEC CRYSTALS SARL · 23, rue du Faucon
6 7 5 0 0 H a g u e n a u / F R A N C E
Phone +33 388 732162 · Fax +33 388 730118
e-Mail sales@comtec-crystals.com
Internet: <http://www.comtec-crystals.com>
Sous réserve de modifications.