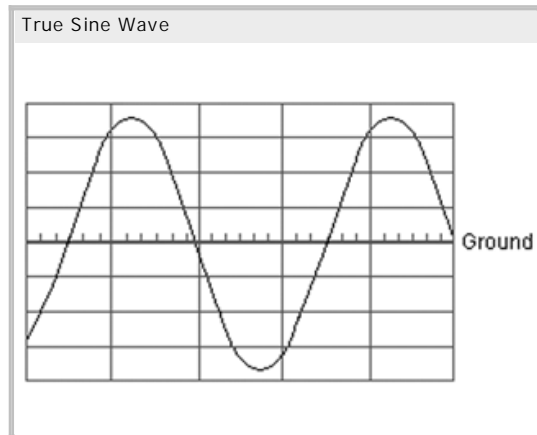
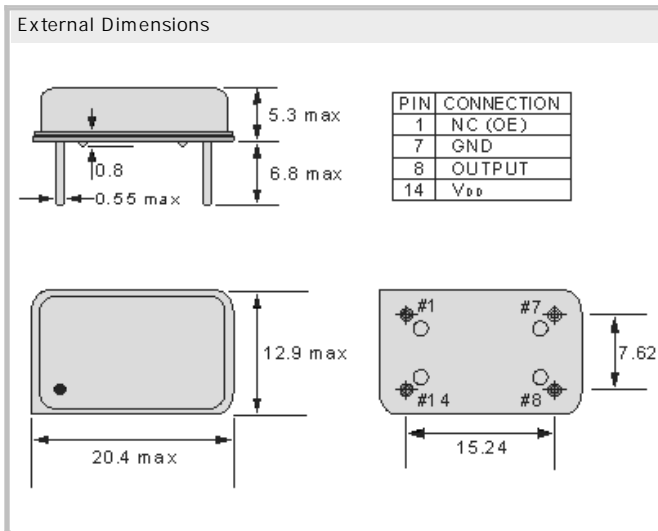


Clock Oscillator 3XO-12S3.3 DIL14
True Sine Wave 3.3V

- micro-processor clocks
- Tri-State Pin 1 option
- True Sine Wave
- RoHS conform; Lead-free product
- Vibration: MIL-STD-202F method 204, 35G, 50 to 2000 Hz
- Shock: MIL-STD-202F method 213B, test cond. E, 1000G 1/2 sine wave
- Available in many standard and special frequencies



Specifications

Holder Type:	3XO-12S3.3 DIL14 (Voltage code is " 3.3 ")
Frequency Range:	10.000 MHz to 800.000 MHz
Frequency Stability at 25°C:	± 25 to ± 100 ppm
Operating Temperature Range:	-20°C to +70°C, -40°C to +85°C (Inclusive Operating Temp., Supply Voltage, & Load)
Storage Temperature:	-50°C to +100°C
Power Supply Voltage (V _{DD}):	+ 3.3V D.C. ± 10%
Maximum Supply Current:	9mA typ. 10 MHz 18mA typ. 100 MHz 19mA typ. 150 MHz
Load:	50 Ohm (Internally AC coupled)
Output Wave Form:	True Sine Wave
Output Level:	Standard: +3.0dBm min. Tolerance: ± 1dB Maximum Power: +7dBm (User to specify)
Harmonics:	< -30dBc (frequency dependent)
Sub-Harmonics:	None
Start Up Time:	6.0 ms typical
Tri-state Function Pin 1:	Pin 1 option, Tristate, Output disable when taken low
Aging:	< ± 5ppm max. / year (max.)
Reflow Condition:	260°C max. for 10 sec.

GERMANY:

COMTEC CRYSTALS GmbH · Sultenstrasse 12-14
8 5 5 8 6 P o i n g / G E R M A N Y
Phone +49 8121 778160 · Fax +49 8121 778177
e-Mail info@comtec-crystals.com
Internet: <http://www.comtec-crystals.com>
Subject to change without prior notice.



Technical Data and Graphics are all under
Copyright (c) of Comtec Crystals Group.

FRANCE:

COMTEC CRYSTALS SARL · 23, rue du Faucon
6 7 5 0 0 H a g u e n a u / F R A N C E
Phone +33 388 732162 · Fax +33 388 730118
e-Mail sales@comtec-crystals.com
Internet: <http://www.comtec-crystals.com>
Sous réserve de modifications.