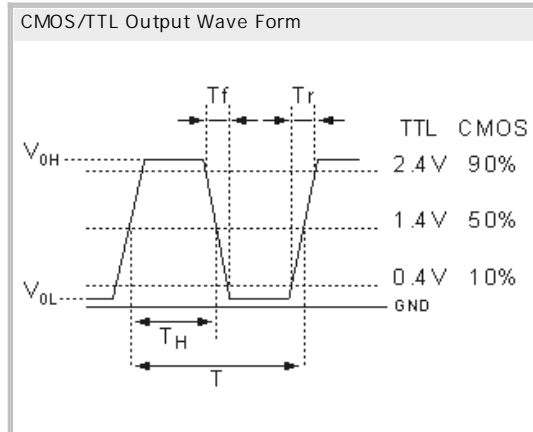
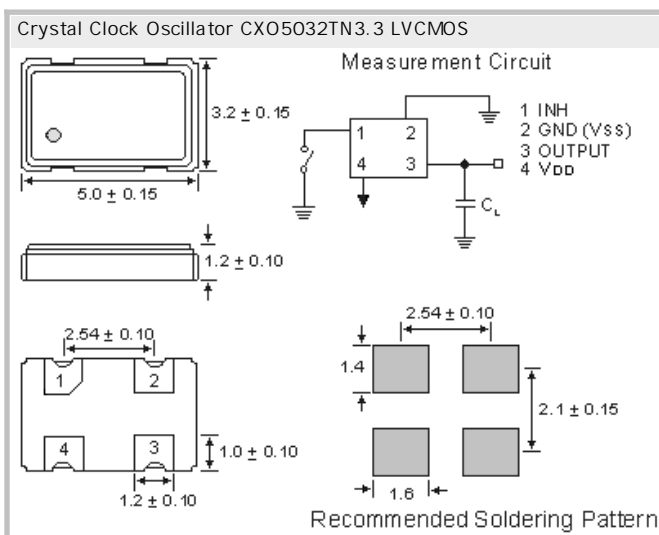


Crystal Clock Oscillator Wide Operating Temperature
CXO5032TN3.3 3.3V LVC MOS Over -55°C to +125°C

- SMD in ceramic case (5.0 x 3.2 x 1.2) mm
- Tri-State Enable / Disable
- LVC MOS Square Wave
- on Tape & Reel (Tape 16mm)
- RoHS conform; Lead-free product
- Vibration: MIL-STD-202F method 204, 35G, 50 to 2000 Hz
- Shock: MIL-STD-202F method 213B, test cond. E, 1000G 1/2 sine wave
- Available in many standard and special frequencies



Specifications

| | |
|---|---|
| Holder Type: | Crystal Clock Oscillator CXO5032TN3.3 3.3V CMOS/TTL |
| Frequency Range: | 1.75 MHz ~ 60 MHz |
| Frequency Stability at 25°C: | ± 50 to ± 100 ppm |
| Operating Temperature Range: | over -55°C to +125°C, 50ppm, 100ppm (Inclusive Operating Temp., Supply Voltage, & Load) |
| Storage Temperature: | -55°C to +125°C |
| Power Supply Voltage (V _{DD}): | + 3.3V D.C. ± 10% |
| Maximum Supply Current: | 4mA max. (1.25MHz ~ 20MHz) 6mA max. (20MHz ~ 60MHz) |
| Output Load: | 15pF |
| Output Symmetry (Duty Cycle): | 40/60% (45/55% optional) |
| Output Voltage (V _{OH}) (V _{OL}): | 90% of V _{DD} min. / 10% of V _{DD} max. |
| Rise/Fall Time (10% to 90% V _{DD}): | 10 ns max. |
| Start Up Time: | 1.25 ~ 32.0 MHz : 5 ms (max.) ; 32.0 ~ 60.0 MHz : 10 ms (max.) |
| Tri-state Function Pin 1: | Pin 1 = H or open.... Output active at pin 3 Pin 1 = L.... high impedance at pin 3 |
| Phase Jitter (12 kHz to 20 MHz): | 150 fs (typical) |
| SSB Phase Noise: | -85dBc/Hz @ 10Hz, -115dBc/Hz @ 100Hz, -140dBc/Hz @ 1kHz -145dBc/Hz @ 10kHz, -150dBc/Hz @ 100kHz, -152dBc/Hz @ 1MHz |
| Aging: | < ± 2ppm max. for the first year (max.) |
| Reflow Condition: | 260°C max. for 10 sec. |

GERMANY:

COMTEC CRYSTALS GmbH · Sultenstrasse 12-14
8 5 5 8 6 P o i n g / G E R M A N Y
Phone +49 8121 778160 · Fax +49 8121 778177
e-Mail info@comtec-crystals.com
Internet: <http://www.comtec-crystals.com>
Subject to change without prior notice.



Technical Data and Graphics are all under
Copyright (c) of Comtec Crystals Group.

FRANCE:

COMTEC CRYSTALS SARL · 23, rue du Faucon
6 7 5 0 0 H a g u e n a u / F R A N C E
Phone +33 388 732162 · Fax +33 388 730118
e-Mail sales@comtec-crystals.com
Internet: <http://www.comtec-crystals.com>
Sous réserve de modifications.