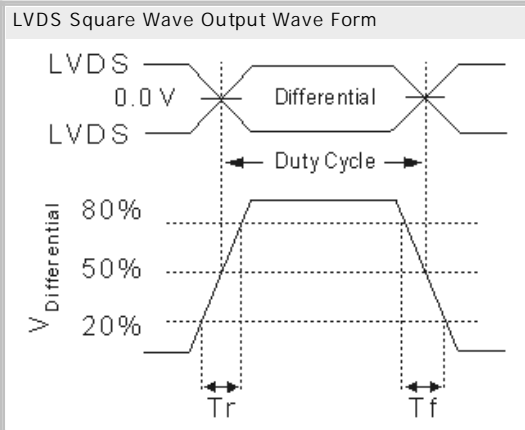
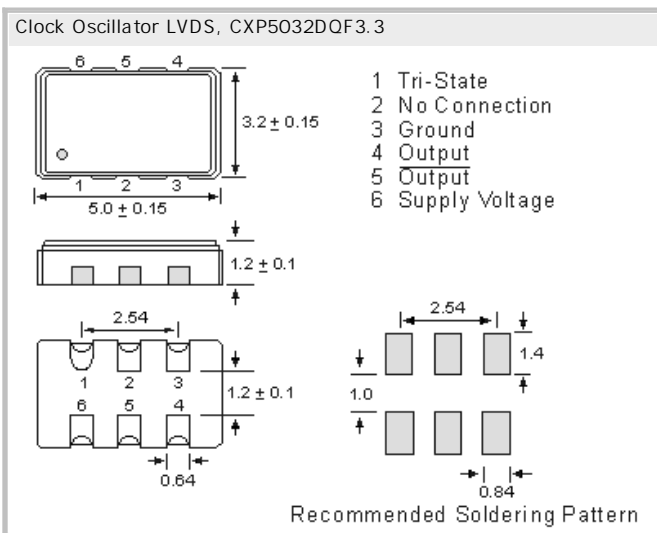


Clock Oscillator LVDS Differential, with PLL
CXP5032DQF3.3, 3.3V, 1.0ps typical Phase Jitter

- SMD in ceramic case (5.0 x 3.2 x 1.2) mm
- Tri-State Enable / Disable on pad No. 1
- LVDS Square Wave Output Wave Form
- High Q fundamental crystal + low jitter multiplier circuit + ultra low jitter multiplier circuit
- RoHS conform; Lead-free product; on Tape (16mm) & Reel
- Vibration: MIL-STD-202F method 204, 35G, 50 to 2000 Hz
- Shock: MIL-STD-202F method 213B, test cond. E, 1000GG 1/2 sine wave
- Available in many standard and special frequencies



Specifications

Holder Type / Voltage (Vdd):	CXP5032DQF3.3; + 3.3V D.C. ± 5%; Tri-State on pad 1
Frequency Range:	10.000 MHz to 1500.000 MHz
Frequency Tolerance at 25°C:	± 20 to ± 100 ppm
Operating-/Storage -Temperature Range	-20°C to +70°C, -40°C to +85°C // -55°C to +150°C
Maximum Supply Current (15pF load):	100MHz: 18mA typical to 1.35GHz: 28mA typical;
Output Logic:	"High", 1: 1.4V (typical); 1.6V (max.), RL = 100 Ohm "Low", 0: 0.9V (min); 1.1V (typical), RL = 100 Ohm
Output Voltage Swing:	250mV min., 350 typ., 450mV max., RL = 100 Ohm
Load:	100 Ohm between output and complimentary output
Start Up Time:	5 ms typical; 10ms max.
Rise (Tr)/Fall Time (Tf):	0.2ns typical; 0.5ns max. (20% Vdd <-> 80% of the LVDS wave form)
Output Enable Function:	OE Control on Pad 1 70% of VDD (min.) to enable output. (Open connection prohibit.) 30% of VDD (max.) to disable output (high impedance).
Phase Jitter:	1.0 ps typ. (12 kHz to 20 MHz); < 100 fs (1.875 MHz to 20MHz)
Phase Noise (156.250 MHz):	-55dBc/Hz @ 10Hz, -85dBc/Hz @ 100Hz, -109dBc/Hz @ 1kHz -116dBc/Hz @ 10kHz, -118dBc/Hz @ 100kHz, -139dBc/Hz @ 1MHz, -146dBc/Hz @ 5MHz
Aging:	< ± 2ppm max. for the first year; ± 10ppm max. over 10 years
Reflow Condition:	260°C max for 10 sec.

GERMANY:

COMTEC CRYSTALS GmbH · Sultenstrasse 12-14
8 5 5 8 6 P o i n g / G E R M A N Y
Phone +49 8121 778160 · Fax +49 8121 778177
e-Mail info@comtec-crystals.com
Internet: <http://www.comtec-crystals.com>
Subject to change without prior notice.



Technical Data and Graphics are all under
Copyright (c) of Comtec Crystals Group.

FRANCE:

COMTEC CRYSTALS SARL · 23, rue du Faucon
6 7 5 0 0 H a g u e n a u / F R A N C E
Phone +33 388 732162 · Fax +33 388 730118
e-Mail sales@comtec-crystals.com
Internet: <http://www.comtec-crystals.com>
Sous réserve de modifications.