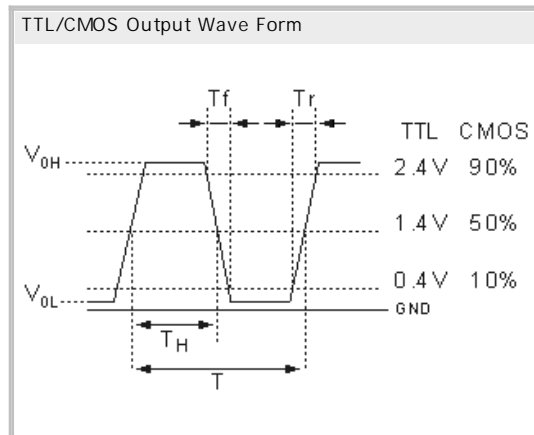
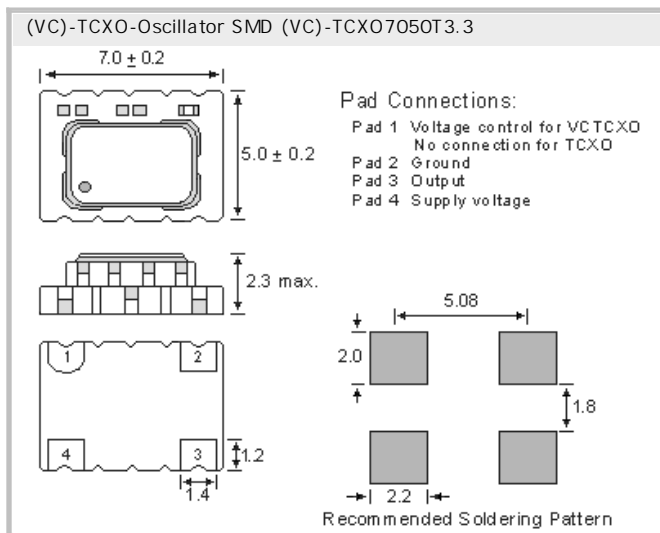


(VC)-TCXO-Oscillator SMD (VC)-TCXO7050T3.3
3.3V CMOS kHz range

- Voltage Control Temperature Compensated Crystal Oscillator
- SMD in ceramic case (7.0 x 5.0 x 2.3) mm
- CMOS Square Wave Output;
Wave form code is " T "
- RoHS conform; Lead-free product; Tape & Reel
- Vibration: MIL-STD-202F method 204,
35G, 50 to 2000 Hz
- Shock: MIL-STD-202F method 213B,
test cond. E, 1000GG 1/2 sine wave
- Available in many standard and special frequencies



Specifications

Holder Type:	(VC)-TCXO7050T3.3 3.3V (Voltage code is " 3.3 ")
Frequency Range:	20.0 kHz to 52.7kHz, 32.768kHz
Input Voltage:	+ 3.3V ± 10%
Standard Frequencies (Part list):	32.768 kHz
Frequency Stability:	± 0.5ppm to ± 3.0ppm
Freq. Stability vs Temperature:	0° to 50° C (± 0.5ppm) to -40 to +85° C (± 1.0 to ± 3.0ppm)
Freq. Stability vs Aging:	± 1.0 ppm, first year at 25 °C
Freq. Stability vs Voltage Change:	± 0.3 ppm, for a ± 5% input voltage change
Freq. Stability vs Load Change:	± 0.3 ppm, for a ± 10% load condition change
Current Consumption:	8.0 mA (max.) for 32.768KHz at + 3.3V 12.0 mA (max.) for 50.000KHz at + 3.3V
Output Load:	15pF
Output Logic Levels:	Logic High "1" : 90% V _{dd} min. (HCMOS) Logic Low "1" : 10% V _{dd} min. (HCMOS)
Output Symmetry (Duty Cycle):	50% ± 5%
Pin 1 Options VCTCXO only:	Control Voltage: Standard + 1.5V ± 1.0V for all input voltages. Slope Polarity: Positive slope. Positive voltage for positive frequency shift. Input Impedance: 10kOhm min.; Linearity ± 10% max. Modulation Bandwidth (at-3 dB) : 3kHz min.
Pin 1 Frequency Deviation Range:	± 5.0 ppm (min.) with Vcon = + 1.5V ± 1.0V
Start Up Time:	10 ms (typ.); 5ms (max.) (reach90% amplitude and at +25° C ± 2° C
Rise/Fall Time CMOS:	10.0ns max. Measured between 20% and 80% V _{dd}) of the wave form (CL = 15pF)
Storage Temperature:	-40 to+ 85° C, -55 to + 125° C
Reflow Condition:	260° C max. for 10 sec.

GERMANY:

COMTEC CRYSTALS GmbH · Sultenstrasse 12-14
8 5 5 8 6 P o i n g / G E R M A N Y
Phone +49 8121 778160 · Fax +49 8121 778177
e-Mail info@comtec-crystals.com
Internet: <http://www.comtec-crystals.com>
Subject to change without prior notice.



Technical Data and Graphics are all under
Copyright (c) of Comtec Crystals Group.

FRANCE:

COMTEC CRYSTALS SARL · 23, rue du Faucon
6 7 5 0 0 H a g u e n a u / F R A N C E
Phone +33 388 732162 · Fax +33 388 730118
e-Mail sales@comtec-crystals.com
Internet: <http://www.comtec-crystals.com>
Sous réserve de modifications.