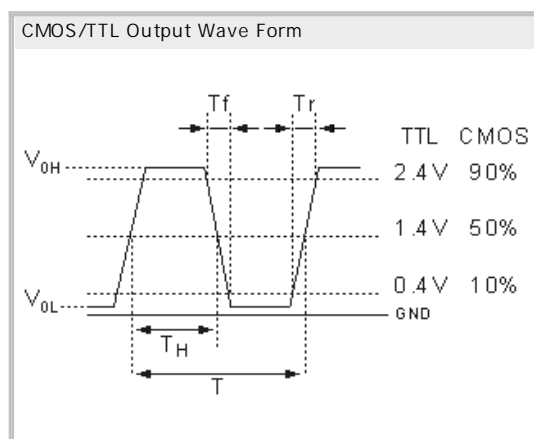
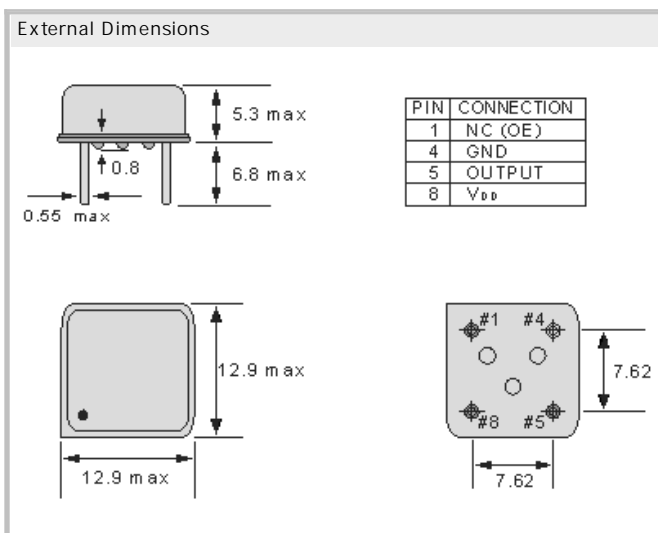


Programmable Crystal Clock Oscillator 3XP-22C5.0  
5.0V 1-133MHz

- Short lead time. From one day to one week
- Compact metal package in DIL8
- CMOS/TTL Square Wave
- Available in many frequencies
- packed in antistatic tubes
- RoHS conform; Lead-free product



## Specifications - Product No. G032000001 OSMPN 43AB

Holder Type:	3XP-22C5.0 (5.0V)
Frequency:	32.000000 MHz
Frequency Stability at 25°C:	± 25.0 ppm
Operating Temperature Range:	± 25.0 ppm -40°C to +85°C
Storage Temperature:	-55°C to +125°C
Power Supply Voltage (V <sub>DD</sub> ):	+ 5.5V max. to 2.7V min.
Maximum Supply Current:	45.0 mA max.
Standby Current:	10µA typical, 50µA max.
Output Load CL:	2 - 10 (LS) TTL gates, 50 pF HCMOS
Output Symmetry (Duty Cycle):	40/60% or 45/55%
Output Voltage (V <sub>OH</sub> ) (V <sub>OL</sub> ):	90% of V <sub>DD</sub> min. / 10% of V <sub>DD</sub> max.
Rise/Fall Time (10% to 90% V <sub>DD</sub> ):	4 ns max. < 2.0 ns typical
Start Up Time:	10 ms max.
Tri-state (Option):	Pin 1 = H or open... Output active at pin 8 Pin 1 = L... high impedance at pin 8
Output Enable Time:	100 ns
RMS Jitter:	65ps typ.; 99ps max.
Aging:	< ± 5ppm max. / year (max.)

### GERMANY:

COMTEC CRYSTALS GmbH · Sultenstrasse 12-14  
8 5 5 8 6 P o i n g / G E R M A N Y  
Phone +49 8121 778160 · Fax +49 8121 778177  
e-Mail [info@comtec-crystals.com](mailto:info@comtec-crystals.com)  
Internet: <http://www.comtec-crystals.com>  
Subject to change without prior notice.



Technical Data and Graphics are all under  
Copyright (c) of Comtec Crystals Group.

### FRANCE:

COMTEC CRYSTALS SARL · 23, rue du Faucon  
6 7 5 0 0 H a g u e n a u / F R A N C E  
Phone +33 388 732162 · Fax +33 388 730118  
e-Mail [sales@comtec-crystals.com](mailto:sales@comtec-crystals.com)  
Internet: <http://www.comtec-crystals.com>  
Sous réserve de modifications.