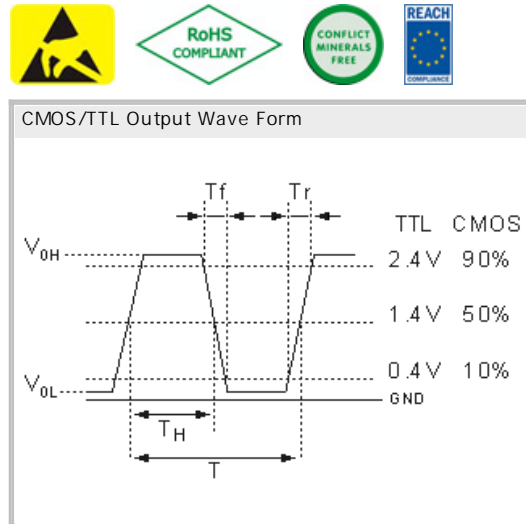
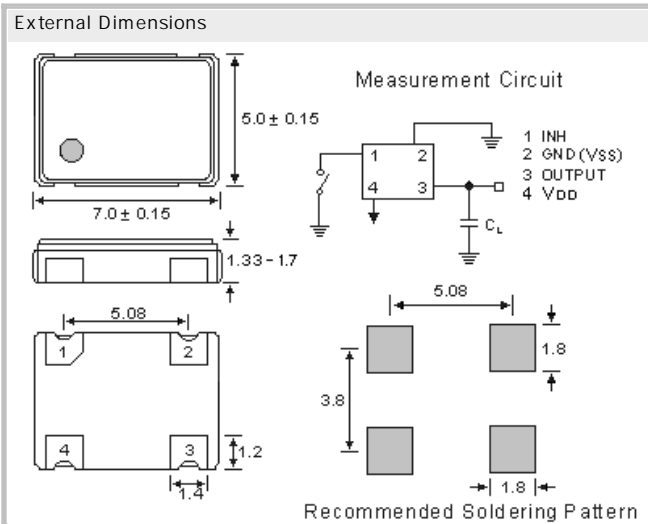


EMI Reducing Spread Spectrum Clock Oscillator CSS7050TR3.3 3.3V

- SMD in ceramic case (7.0 x 5.0 x 1.8) mm
- Tri-State Enable / Disable
- CMOS/TTL Square Wave
- on Tape & Reel (Tape 16mm, 1000pcs per reel)
- RoHS conform; Lead-free product
- Vibration: MIL-STD-202F method 204, 35G, 50 to 2000 Hz
- Shock: MIL-STD-202F method 213B, test cond. E, 1000GG 1/2 sine wave
- Available in many standard and special frequencies



Specifications - Product No. G10000000FGLUPN43BB

Holder Type:	CSS7050TR3.3 Tri-State 3.3V (Voltage code is " 3.3 ")
Frequency:	100.000000 MHz
Frequency Stability at 25°C:	± 50.0 ppm
Operating Temperature Range:	± 50.0 ppm, -40°C to +85°C
Storage Temperature:	-55°C to +125°C
Spread Type/EMI Reduction:	C = ± 1.50% / -15 dBc (min.) , 100MHz at C1.5
Power Supply Voltage (Vdd):	+ 3.3V D.C. ± 5%
Maximum Supply Current:	18.0 mA typ.
Modulation Carrier Freq. (Dither rate):	6.9 kHz min.; 55.5kHz max. Frequency dependent
Output Load:	15 pF CMOS / 10LS TTL gates max.
Output Symmetry (Duty Cycle):	45/55% CL=15pF; 50% Vdd
Output Voltage (VOH) (VOL):	2.4V min; 3.2V typical 90% of Vdd min. 0.5V max; 0.2V typical 10% of Vdd max.
Rise/Fall Time (10% to 90% Vdd):	4 ns max.
Start Up Time:	2 ms typical; 5 ms max.
Cycle-to-Cycle Jitter:	± 250 ps typical; ± 300 ps max.
Tri-state Function Pin 1:	Pin 1 = H or open.... Output active at pin 3 Pin 1 = L.... high impedance at pin 3; Output enable/disable time: 100ns max.
Aging:	< ± 5ppm max. / year (max.)
Reflow Condition:	260°C max for 10 sec.
See also:	http://www.comtec-crystals.com/docs/G/GFG2.htm

GERMANY:

COMTEC CRYSTALS GmbH · Sultenstrasse 12-14
8 5 5 8 6 P o i n g / G E R M A N Y
Phone +49 8121 778160 · Fax +49 8121 778177
e-Mail info@comtec-crystals.com
Internet: <http://www.comtec-crystals.com>
Subject to change without prior notice.



Technical Data and Graphics are all under
Copyright (c) of Comtec Crystals Group.

FRANCE:

COMTEC CRYSTALS SARL · 23, rue du Faucon
6 7 5 0 0 H a g u e n a u / F R A N C E
Phone +33 388 732162 · Fax +33 388 730118
e-Mail sales@comtec-crystals.com
Internet: <http://www.comtec-crystals.com>
sous réserve de modifications.