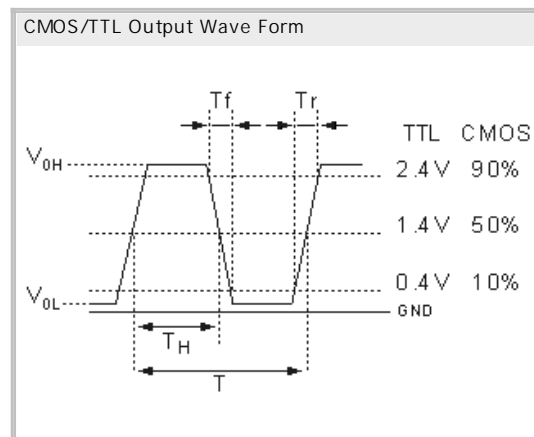
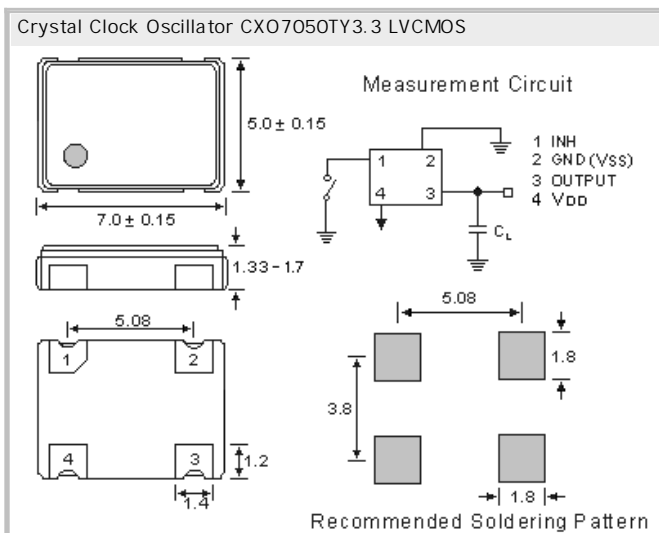


Crystal Clock Oscillator Wide Operating Temperature
CXO7050TY3.3 3.3V LVCMOS Over -40°C to +125°C

- SMD in ceramic case (7.0 x 5.0 x 1.7) mm
- Tri-State Enable / Disable
- LVCMOS Square Wave
- on Tape & Reel (Tape 16mm)
- RoHS conform; Lead-free product
- Vibration: MIL-STD-202F method 204, 35G, 50 to 2000 Hz
- Shock: MIL-STD-202F method 213B, test cond. E, 1000G 1/2 sine wave
- Available in many standard and special frequencies



Specifications

| | |
|----------------------------------|--|
| Holder Type: | Crystal Clock Oscillator CXO7050TY3.3 3.3V CMOS/TTL |
| Frequency Range: | 1.25 MHz ~ 50 MHz |
| Frequency Stability at 25°C: | ± 25 to ± 100 ppm |
| Operating Temperature Range: | over -40°C to +125°C ± 25 to ± 100 ppm (Inclusive Operating Temp., Supply Voltage, & Load) |
| Storage Temperature: | -65°C to +150°C |
| Power Supply Voltage (Vdd): | + 3.3V D.C. ± 10% |
| Maximum Supply Current: | 4mA max. (1.25MHz ~ 20MHz) 6mA max. (20MHz ~ 50MHz) |
| Output Load: | 15pF |
| Output Symmetry (Duty Cycle): | 40/60% (45/55% optional) |
| Output Voltage (VOH) (VOL): | 90% of Vdd min. / 10% of Vdd max. |
| Rise/Fall Time (10% to 90% Vdd): | 10 ns max. |
| Start Up Time: | 1.25 ~ 50.0 MHz : 5 ms (max.) |
| Tri-state Function Pin 1: | Pin 1 = H or open.... Output active at pin 3 Pin 1 = L.... high impedance at pin 3 |
| Phase Jitter (26 MHz, 3.3V): | 150 fs (typical) (12kHz to 20 MHz integrated) |
| SSB Phase Noise: | -94dBc/Hz @ 10Hz, -127dBc/Hz @ 100Hz, -142dBc/Hz @ 1kHz -156dBc/Hz @ 10kHz, -161dBc/Hz @ 100kHz, -163dBc/Hz @ 1MHz -163dBc/Hz @ 5MHz |
| Aging: | < ± 2ppm max. for the first year (max.) |
| Reflow Condition: | 260°C max. for 10 sec. |

GERMANY:

COMTEC CRYSTALS GmbH · Sultenstrasse 12-14
8 5 5 8 6 P o i n g / G E R M A N Y
Phone +49 8121 778160 · Fax +49 8121 778177
e-Mail info@comtec-crystals.com
Internet: <http://www.comtec-crystals.com>
Subject to change without prior notice.



Technical Data and Graphics are all under
Copyright (c) of Comtec Crystals Group.

FRANCE:

COMTEC CRYSTALS SARL · 23, rue du Faucon
6 7 5 0 0 H a g u e n a u / F R A N C E
Phone +33 388 732162 · Fax +33 388 730118
e-Mail sales@comtec-crystals.com
Internet: <http://www.comtec-crystals.com>
Sous réserve de modifications.